

# PRODUCT INFORMATION PACKET

Model No: 5KH33JNA534T

Catalog No: 4735

1/2 HP Fan and Blower HVAC/R Motor, 1 phase, 1800 RPM, 115 V, 48Y Frame, OPEN  
Belt Drive Motors



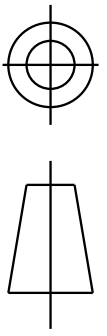
### Nameplate Specifications

Output HP	0.50 Hp	Output KW	0.37 kW
Frequency	60 Hz	Voltage	115 V
Current	7.9 A	Speed	1725 rpm
Service Factor	1.25	Phase	1
Efficiency	62.5 %	Power Factor	0
Duty	Continuous	Insulation Class	B
KVA Code	N	Frame	48Y
Enclosure	Open Enclosed	Thermal Protection	AUTO
Ambient Temperature	40 °C	Drive End Bearing Size	6203
Opp Drive End Bearing Size	6203	UL	Recognized
CSA	Yes	CE	N

### Technical Specifications

Electrical Type	Split Phase	Starting Method	SM
Poles	4	Rotation	Clockwise/Counterclockwise
Mounting	Resilient Base	Motor Orientation	ANY
Drive End Bearing	BALL	Opp Drive End Bearing	Ball
Frame Material	Rolled Steel	Overall Length	10.28 in
Frame Length	5.41 in	Shaft Diameter	0.500 in
Shaft Extension	1.5 in	Thru-bolts Extension	0 in
Outline Drawing	52A109502P3	Connection Drawing	52A105379AA

This is an uncontrolled document once printed or downloaded and is subject to change without notice. Date Created:03/11/2020



REV. 2

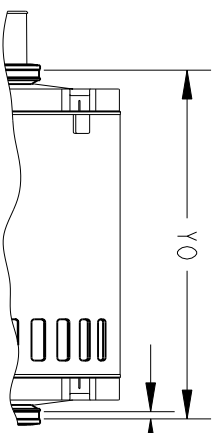
CHG TO RBC FORMAT PER IS05-1777

03/14/06

SUDHA

52A109502 2

SIZE A DRAWING NO.



3.10  
2.95

C MAX.

L MAX.

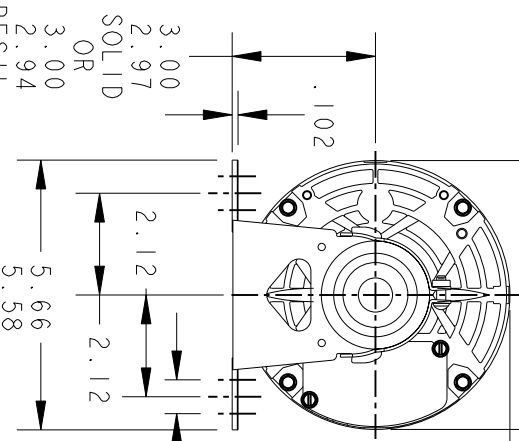
MAX.

3.90

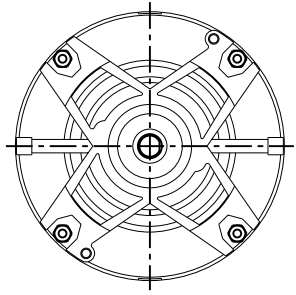
.05 X (K)  
LG. FLAT

.500-14  
CONDUIT  
THREAD

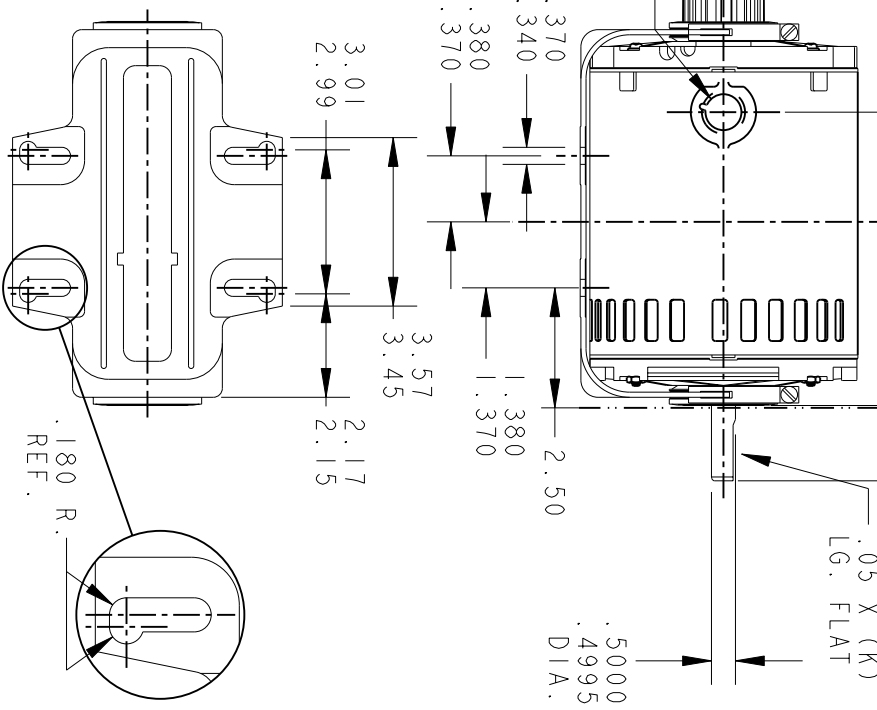
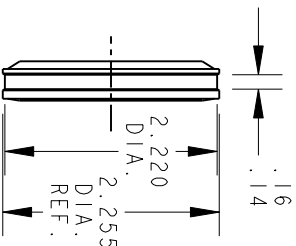
.5000  
.4995  
DIA.



3.00  
2.97  
SOLID  
OR  
3.00  
2.94  
RESIL.



VIEW SHOWING P.E.  
VENTILATION OPENINGS



W IS A CLEARANCE DUE  
TO VARIATION IN PARTS  
AND ASSEMBLY.

P	TYPE	GE SIZE	NEMA FR	C	K	L	N	N-W	YO	SHELL REF
3	KH	33	48Y	10.28	1.16	4.76	1.50	1.63/1.41	8.41/7.12	
2	KH	32	48Y	10.03	1.16	4.51	1.50	1.63/1.41	8.16/6.87	
1	KH	39	48Y	9.78	1.16	4.26	1.50	1.63/1.41	7.91/6.62	4.91

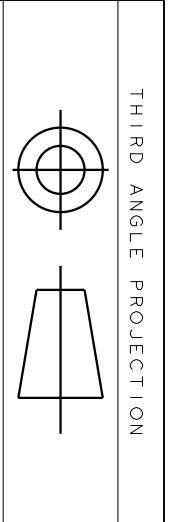


REGAL-BELOMT CORPORATION

TITLE  
PDD MOTOR - OPEN - RESILIENT BASE -  
BALL BEARING - SPECIAL MOUNTING HOLES IN BASE

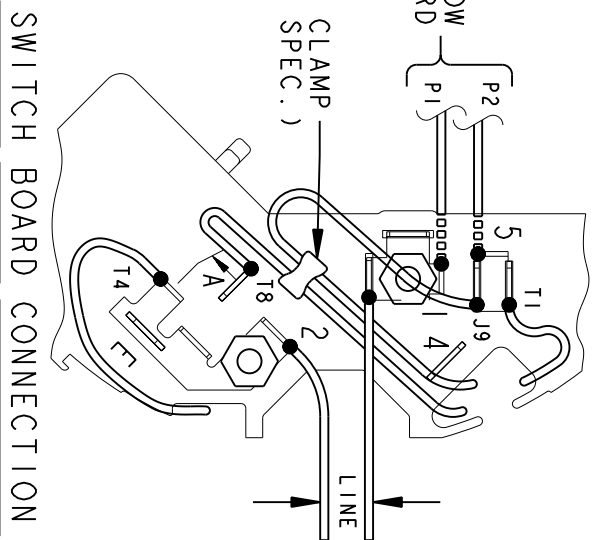
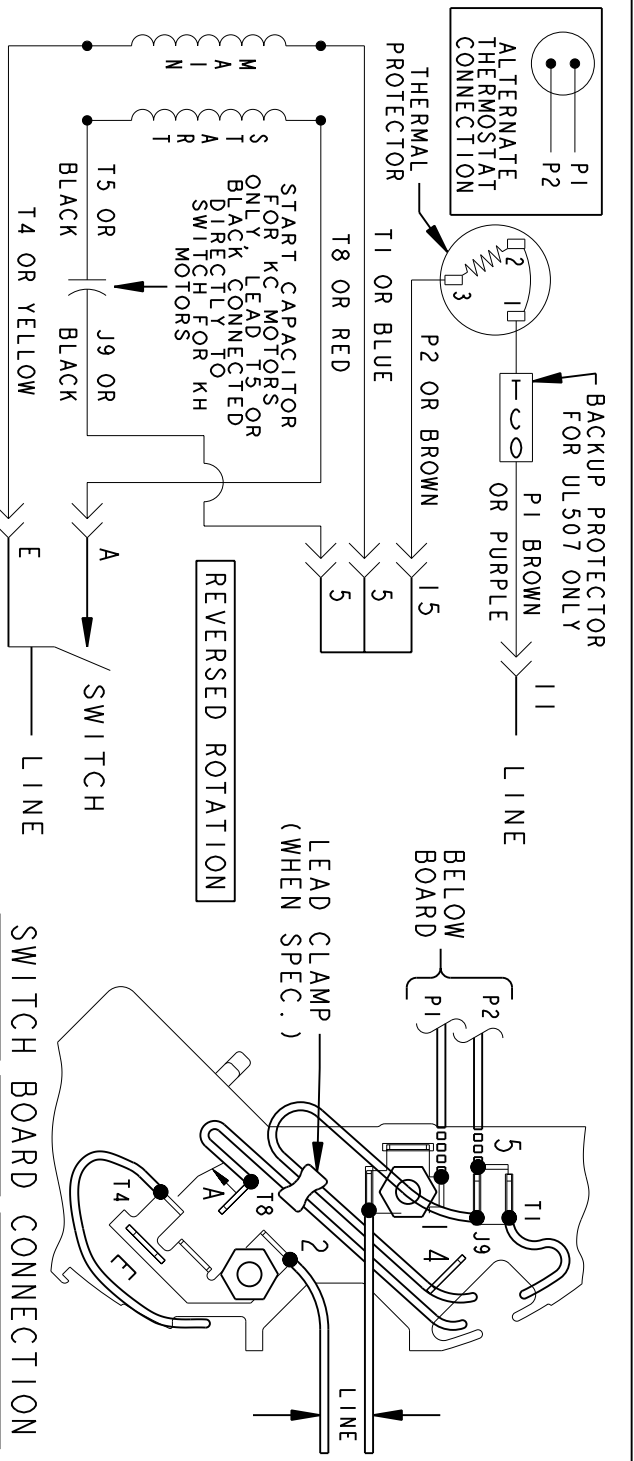
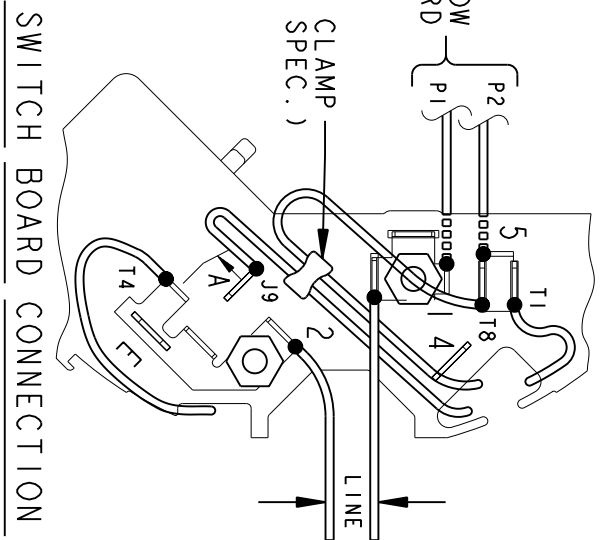
FOR ADDITIONAL INFO REFER TO:	MFG	ENG	CHECKED	DETAIL	MODEL	M.D. PAPER	DATE
APPLIED PRACTICES	QUALITY						
DIMENSIONS ARE IN INCHES	ISSUED					M.D. PAPER	03/10/94
MATERIAL	SOLID MODEL: 52A109502						

SIZE	SCALE	REF. No.	SHEET
A	0.250		1 of 1
REV	52A109502		2



REV.	DESCRIPTION	DATE	APPROVED
6	UPDATED FORMAT	12/01/05	MAM

EITHER ROTATION-SINGLE VOLTAGE-TYPE KC OR KH-WITH THERMAL PROTECTOR



NOTE #1 - TO REVERSE ROTATION INTERCHANGE RED (T8) AND BLACK (J9-KC OR T5-KH) LEADS.  
 NOTE #2 - WHEN MORE THAN ONE CAPACITOR IS USED CONNECT IN PARALLEL.

SWITCH (C) - 115D958AB REF. DIAG. - 121A851 CONN. LABEL - 52X332048

SIGNATURES	DATE
MODEL M.D.PAPE	06/29/87
DETAIL	
CHECKED	
ENGRG	
MFG	
QUALITY	
ISSUED	M.D.P. 03/08/00
SOLID MODEL: 52A105379AA	

**REGAL-BELOIT CORPORATION**

**REGAL-BELOIT**

**CONNECTION DIAGRAM**

**FMF - 30 FR SWITCH REDESIGN**

SCALE: 1.000 REF. No.:

SIZE DRAWING A

52A105379AA

REV 6